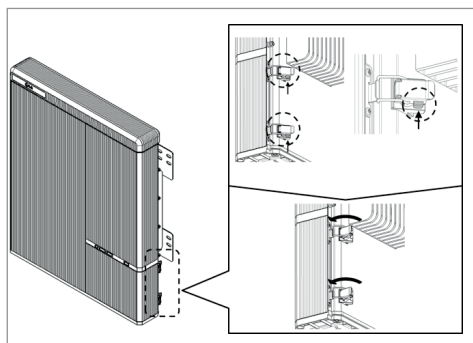


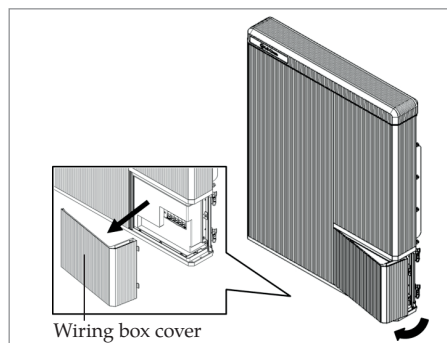


User Guide for RESU7H/10H

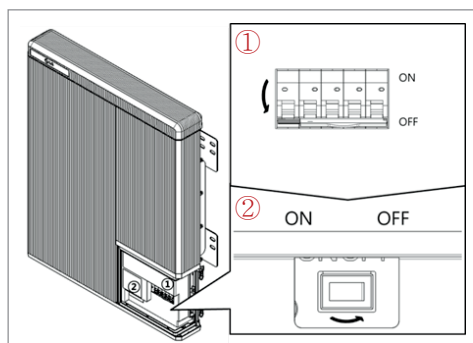
If the fault alarm shows, turn off the Circuit breaker & toggle switch immediately according to below sequence. And contact LG Chem or your service provider. Otherwise, the battery may not be operated properly.



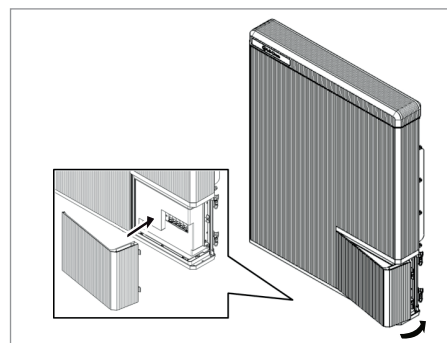
1. Press the two buttons and Pull the two latches (marked position) on the rear side of the wiring box cover. (hinged door)



2. Open the wiring box cover (about 2~10 degree), and pull to remove it.



3. Turn off the battery pack by moving the circuit breaker switch ① to the OFF position.
And turn off the auxiliary power switch ②.



4. Close the wiring box cover, and lock the ratchet. And contact LG chem or your service provider.

⚠ CAUTION

The wiring box cover is heavy. [approx. 1.6kg(3.5lb)]
If dropped it may cause injury.

Contact information

If the battery pack seems to be damaged or not working correctly, contact LG Chem or your distributor. Use the contacts below for technical assistance. These phone numbers are available only during business hours on weekdays.

HQ(KOR)	+82 43 219 2695
United States	+1 248 808 0016
Europe	+49 162 297 0918
Australia	+61 1300 18 064
Other Regions	+82 43 219 2695

Soongkyu@lgchem.com
CSNorthAmericaESS@lgchem.com
aburkert@lgchem.com
m_AUservice@lgchem.com
Soongkyu@lgchem.com